



alienHero^{HD}

- 4 or 8ch DVR with Video Analytics -



20x the recording quality of an ordinary DVR

FREE! Dynamic DNS with IP postcode for each Hero. Saves you money, speeds up install.

- ✓ 1080p Realtime Recording - 720p @ 25fps or 1080p @ 12fps
- ✓ Instant Detective Video Analytics - Usually only found on DVRs 3x the price!
- ✓ Hardwired Alarm Inputs - On each channel for PIRs or door contact activation.
- ✓ HDMI & VGA Outputs - Work simultaneously for maximum flexibility.
- ✓ Friendly GUI & Built-in Help Menu - Quickly find what you're looking for.
- ✓ New! AutoPort Feature - Does the network port forwarding for you.*



The alienHero HD DVR may get you **20X the recording quality of a traditional DVR** that records at CIF resolution but the price difference is negligible.

Not only does the HeroHD **record images in broadcast quality**, it's also packed with features for the professional installer.

All HeroHD DVRs have **full alarm inputs** so you can trigger a recording with PIRs, door contacts or other third party equipment, for a totally flexible installation. Of course the HeroHD also has built in motion detection recording as well, it even has Video Analytics!

Features:

 HD-SDI Inputs	 AutoPort Forwarding	 HDMI Output	 Easy-to-use Menu	 Hardwired Alarms	 Free DNS	 Easy USB Backup	 Instant Detective
 2 Way Talkback	 PTZ Control	 Easy Setup & Control	 Device Control	 Remote Internet	 Live Images on	 Multi-Ch Playback	 Intelligent Recording

Specification:
 Video Inputs - 4 / 8 x HD-SDI inputs
 Audio inputs - 4 / 8 x Phono inputs
 Video Out - 1 x HDMI, 1 x VGA
 Audio Out - 1 x Phono
 USB Port x 2
 H264 Compression
 Display Options: 4ch - Single & Quad
 8ch - Single & Quad / 6 / 8
 720p @ 25 FPS or 1080p @ 12 FPS
 Internal S-ATA HDD
 4ch - Max 4TB Capacity
 8ch - Max 8TB Capacity
 RS232 Interface
 4 / 8 Alarm Inputs
 4ch - 1 Alarm Output
 8ch - 4 Alarm Outputs
 Video Motion Detection
 Back-up via a networked PC or USB device
 RS485 Comms
 12V DC
 Dimensions: 4ch - W320 x D230 x H50mm

*with a compatible UPnP router

HD-SDI Video Inputs



HD-SDI stands for High Definition Serial Digital Interface, but most people call it by the abbreviation HD-SDI. In essence the main advantage over traditional analogue CCTV systems is HD-SDI sends video in a digital uncompressed format to deliver staggering picture quality.

Easy Interface - Learn it in Minutes!



All Heros now have our new, ultra easy to use BlueDisc menu system. With its clear and simple layout it's easy to navigate and find all the features the alienHero has to offer.

AutoPort Plug-and-Play for Fast Internet Setup



AutoPort removes all the hassle and complication from setting up port forwarding. AutoPort "Plug-and-Play" means the DVR can automatically configure compatible routers for you, making internet setup easier than ever before.

HDMI, BNC & VGA Outputs - Use All 3 at Once



The alienHero's HDMI output provides a crystal clear, high definition image and works simultaneously with the standard BNC composites video outputs and the VGA output.

Free Dynamic DNS



The alienHero range comes with free DNS service making the Hero even better value as it saves you time and money.

Instant Detective



Instant Detective searches through video recordings stored on the DVR for movement in a particular area so you can find out what happened in seconds without trawling through hours of footage.

Hardwired Alarm Inputs



Hardwired alarm inputs for PIRs or door contact activation on every channel i.e. 16ch alienHero has 16 inputs.

VoiceOff Ready for Remote 2-Way Talkback



Using the VoiceOff alarm activated audio warning unit you can playback up to 9999 pre-recorded audio files to welcome visitors or warn off intruders. It even works as a talkback amplifier. For more information visit: www.voiceoff.com

Built-in Help Documents



Each alienHero features built-in help documents accessible at all times so you'll always have help on hand.

Multi Channel Playback



See what happened where and when using the DVR's multi-channel playback feature to view up to 16 cameras at once on the same screen! The alienHero even allows synchronised playback so it's easy to watch the build up to an event on multiple cameras at once.

Comprehensive HDD Management



HDD management allows critical cameras to be allocated certain drives for recording. For example, a key camera overlooking a till can be allocated 1 drive for its recording whilst remaining cameras can be left with the remaining drive to share, extending the till's

Kontrol & Kommand Timed Relay Interface



The alienHero range works with the Kontrol & Kommand relay module through its RS232 interface to control up to 8 separate devices per module. Ideal for controlling 3rd party electrical devices such as heating or air-con systems.

Mobile Phone Viewing



Using the latest generation of Smart phones, live CCTV images can be viewed from the alienHero and the Phone Connect software even allows Pan Tilt control of compatible PTZ cameras. iPad, iPhone & Android apps are available for free.

Email Notification - Keep Updated!



alienHero sends an email with 3 JPEG attachments showing the "activated" CCTV camera image taken before, during and just after the alarm event occurs.

Network & Remote Monitoring



The CCTVWindow remote monitoring software is supplied free with the DVR so you can connect to the alienHero from anywhere in the world and watch live or recorded images on a standard PC or laptop!

Easy USB Backup



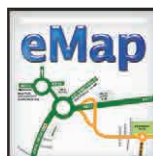
Once recorded on the HDD, recordings can be grouped for fast backup onto an external USB drive. Footage is easy to retrieve using the free CCTVWindow software to back up files over a network or over the internet onto a different PC.

Intelligent Recording - Saves HDD Space!

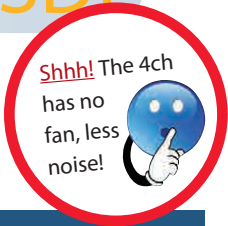


The alienDVR range has an intelligent alarm recording function that allows any camera channel with video motion detection setup to have a background recording frame rate and an alarm recording frame rate.

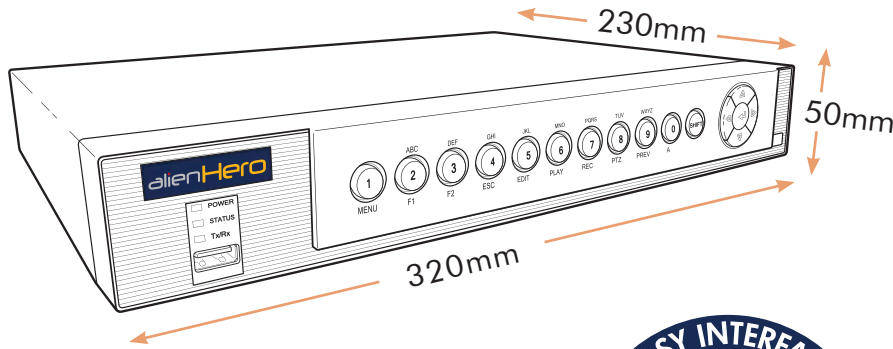
Electronic Mapping



eMaps can be embedded into the superb CCTVWindow software to enable an easy way to select and see images from a camera in a simple and intuitive graphical user interface.



4ch Front Features



NEW!

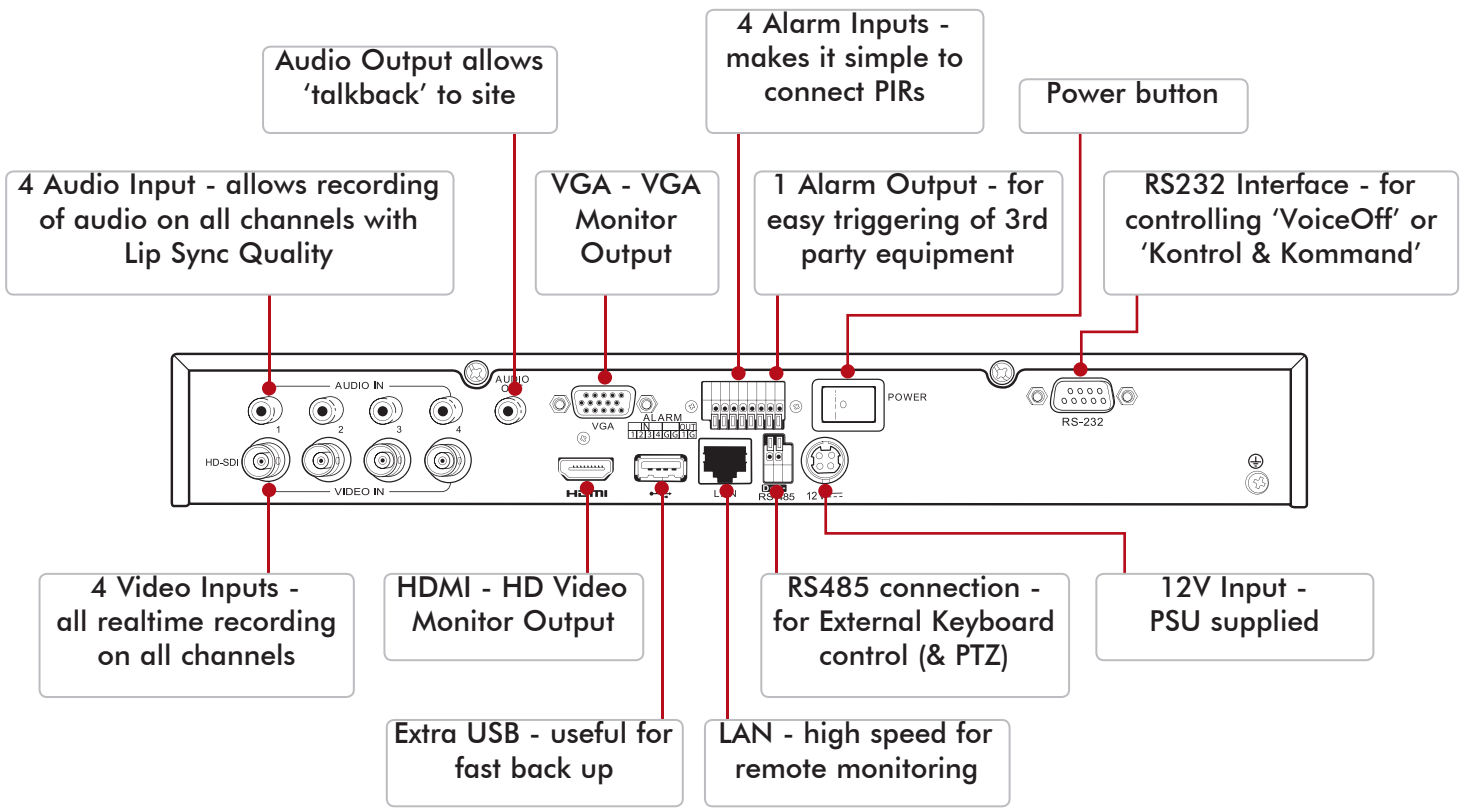
All HEROs now have the ultra easy to use BlueDisc menu



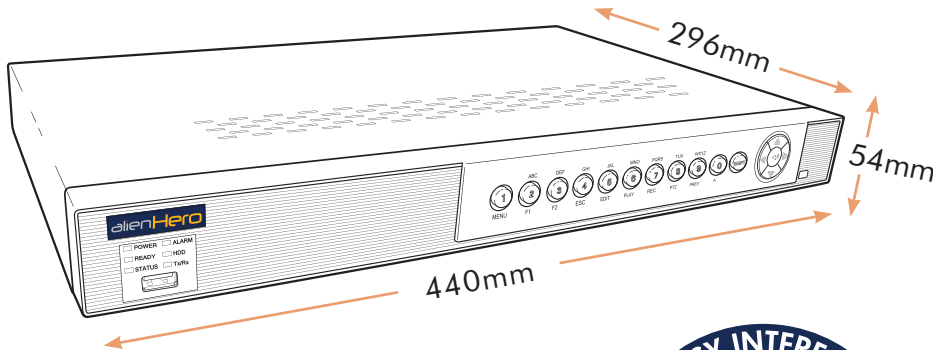
4ch Vital Stats:

- 3 Built-in Video Analytics
- 3 VoiceOff Ready
- 3 Kontrol & Kommand Timed Relay Outputs
- 3 HDMI & VGA Video Output
- 3 AutoPort - Plug-and-Play Setup
- 3 Internet Ready
- 3 iPhone - Android - Windows - Mac
- 3 External Storage Option
- 3 Space Saver Compact Case
- 3 4 TB max Storage
- 3 4 Alarm Inputs - 1 Alarm Output
- 3 4Ch Realtime Recording (720 @ 25fps, 1080p @ 12fps)

4ch Rear Features



8ch Front Features



NEW!

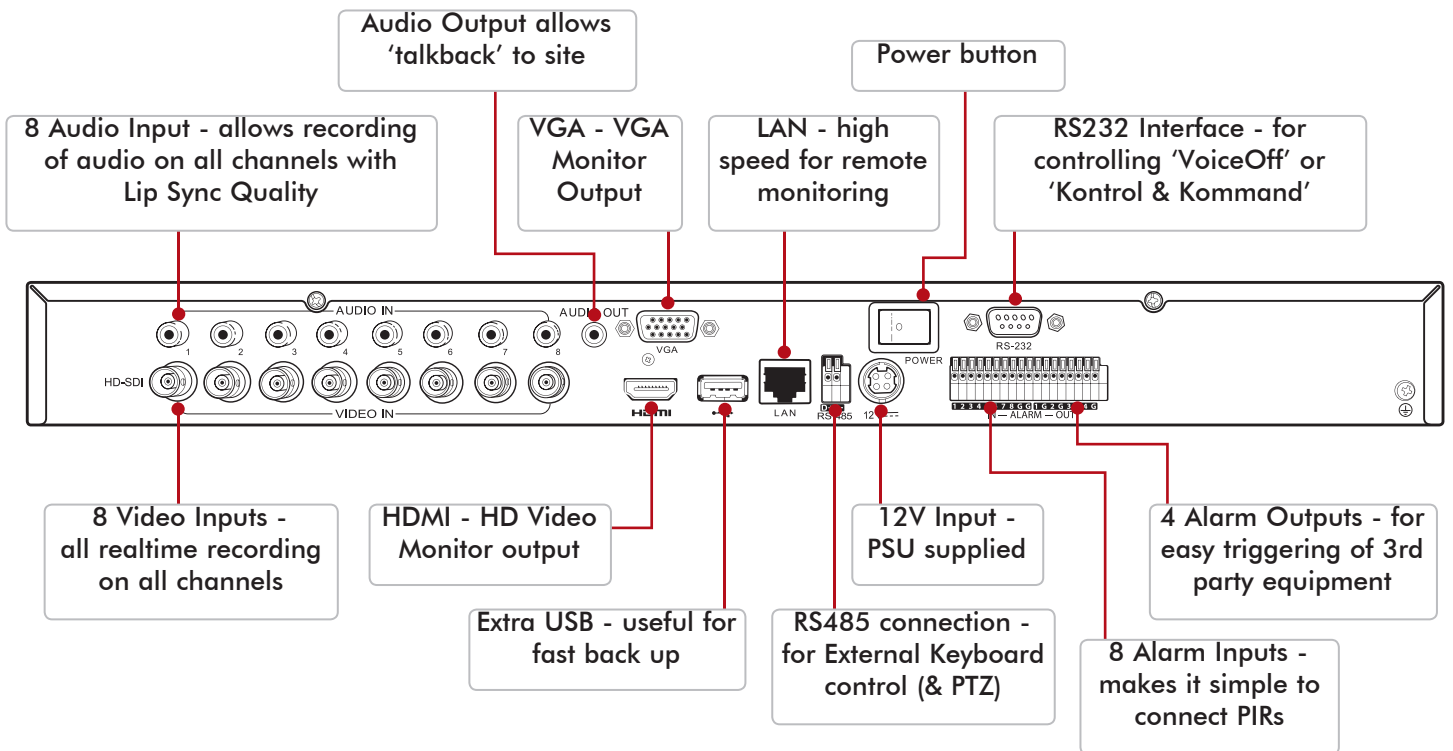
All HEROs now have the ultra easy to use BlueDisc menu



8ch Vital Stats:

- 3 Built-in Video Analytics
- 3 VoiceOff Ready
- 3 Kontrol & Kommand Timed Relay Outputs
- 3 HDMI - VGA & BNC Video Output
- 3 AutoPort - Plug-and-Play Setup
- 3 Internet Ready
- 3 iPhone - Android - Windows - Mac
- 3 External Storage Option
- 3 Space Saver Compact Case
- 3 **8 TB max Storage (2x 4TB)**
- 3 **8 Alarm Inputs - 4 Alarm Outputs**
- 3 **8Ch Realtime Recording** (720 @ 25fps, 1080p @ 12fps)

8ch Rear Features



ENDLESS POSSIBILITIES

...when combined with great accessories

